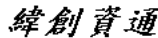
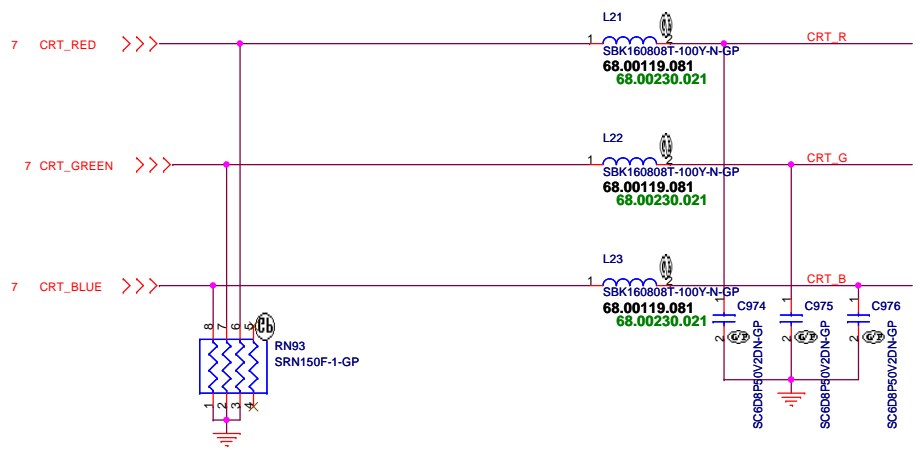


DIS CRT

 <b>Wistron Corporation</b> 21F, 88, Sec.1, Hsin Tai Wu Rd., Hsichih, Taipei Hsien 221, Taiwan, R.O.C.	
<b>USB CONN</b>	
<b>JM41 DIS CRT BD</b>	
Size	Document Number
Date: Friday, April 03, 2009	Sheet 1 of 8
Rev	-1

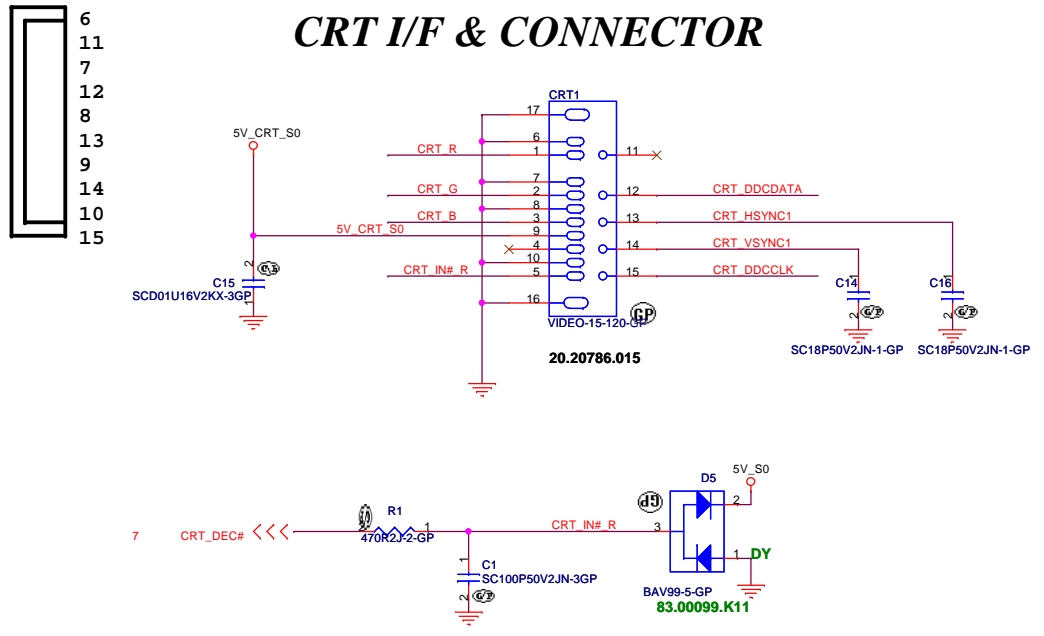
Layout Note:  
Place these resistors  
close to the CRT-out  
connector

Ferrite bead impedance: 10 ohm@100MHz



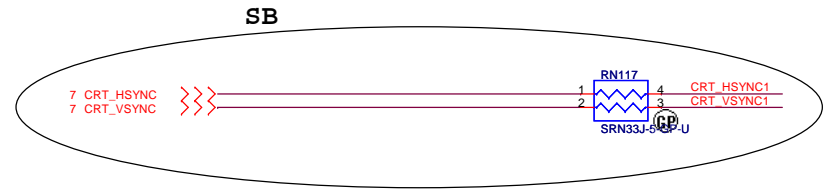
Layout Note:  
\* Must be a ground return path between this ground and the ground on the VGA connector.  
Pi-filter & 150 Ohm pull-down resistors should be as close as to CRT CONN. RGB will hit 75 Ohm first, pi-filter, then CRT CONN.

### CRT I/F & CONNECTOR

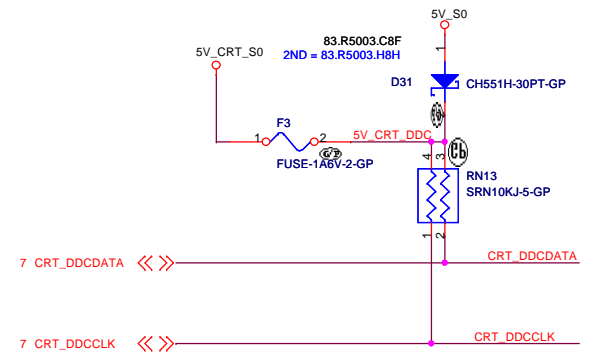


### Hsync & Vsync level shift

For System CRT



### DDC\_CLK & DATA level shift



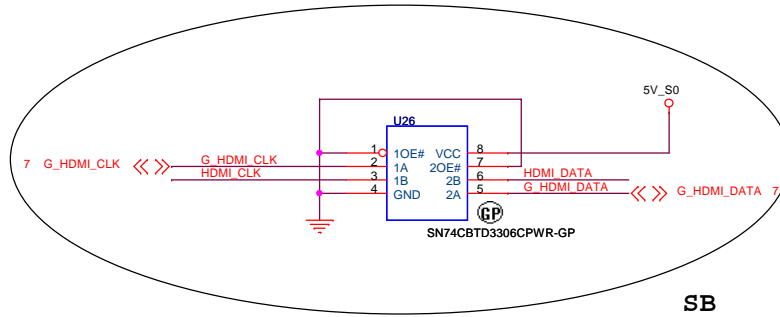
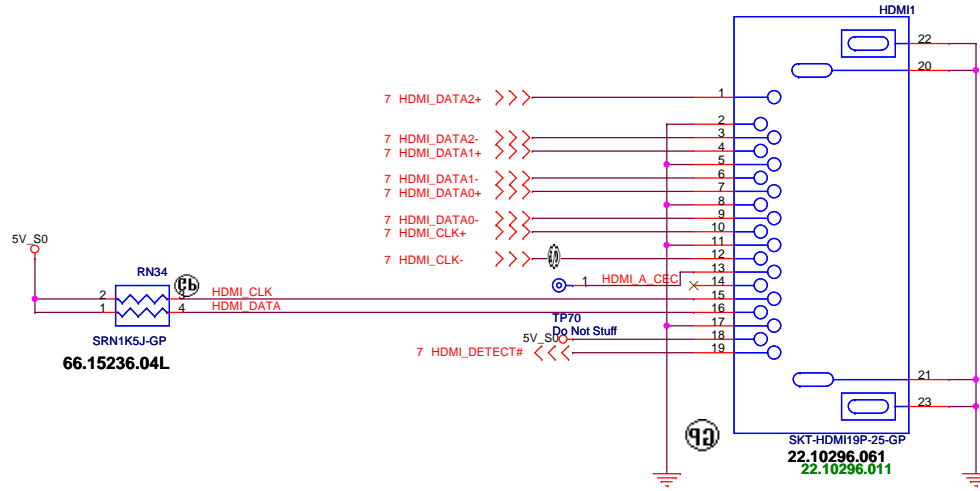
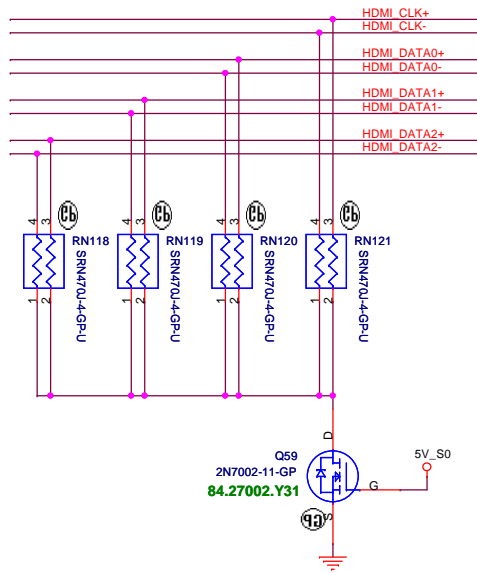
DIS CRT

**緯創資通 Wistron Corporation**  
21F, 88, Sec.1, Hsin Tai Wu Rd., Hsichih,  
Taipei Hsien 221, Taiwan, R.O.C.

Title: **CRT CONN**

Size: Document Number: **JM41 DIS CRT BD** Rev: -1

Date: Friday, April 03, 2009 Sheet 2 of 8

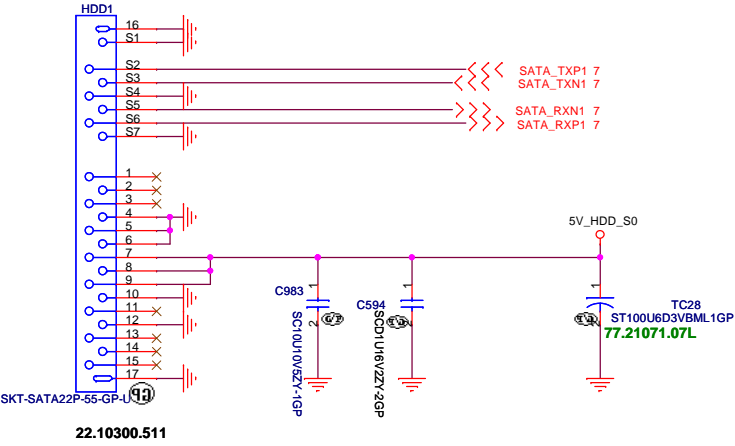


SB

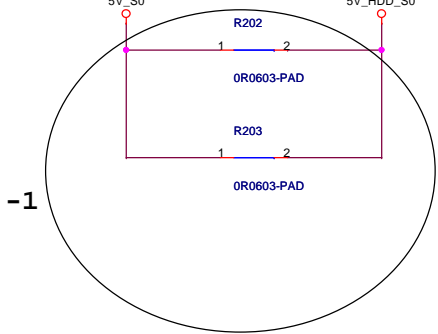
DIS CRT

<b>緯創資通</b> <b>Wistron Corporation</b> 21F, 88, Sec.1, Hsin Tai Wu Rd., Hsichih, Taipei Hsien 221, Taiwan, R.O.C.	
Title	
<b>HDMI CONN</b>	
Size	Document Number
<b>JM41 DIS CRT BD</b>	
Date: Friday, April 03, 2009	Sheet 3 of 8
Rev	-1

# SATA Connector

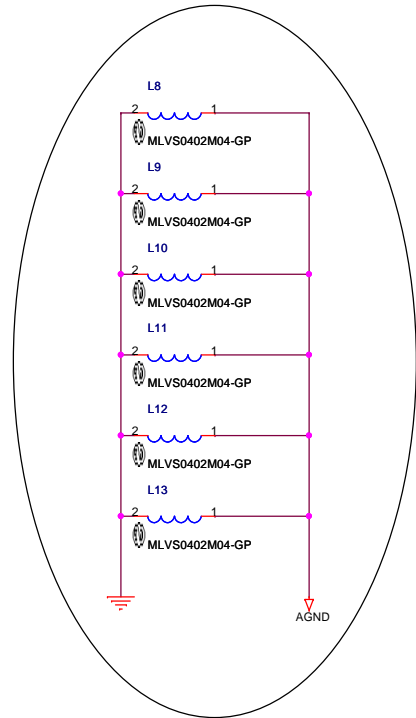
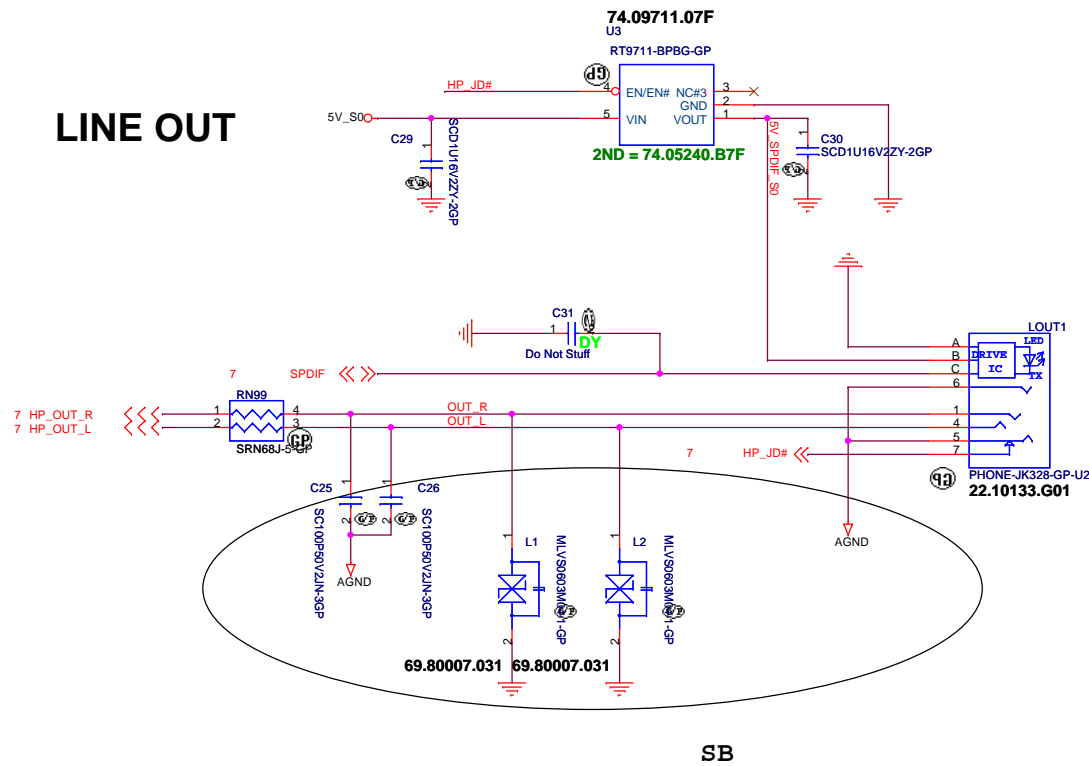


# HDD Power



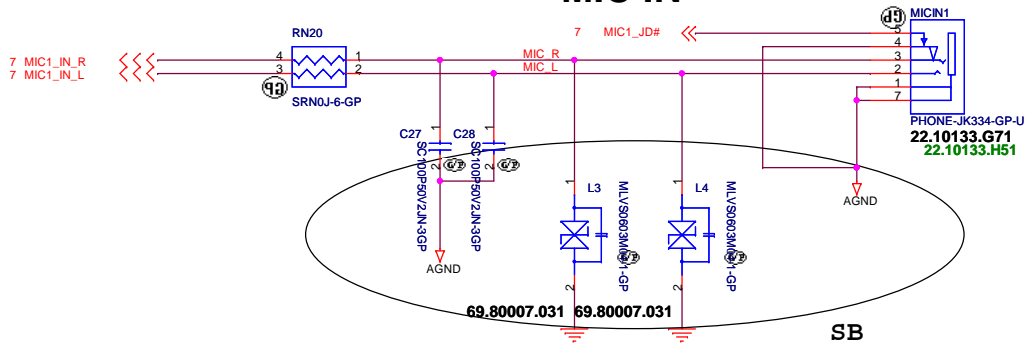
緯創資通 Wistron Corporation  
21F, 88, Sec.1, Hsin Tai Wu Rd., Hsichih,  
Taipei Hsien 221, Taiwan, R.O.C.

# LINE OUT



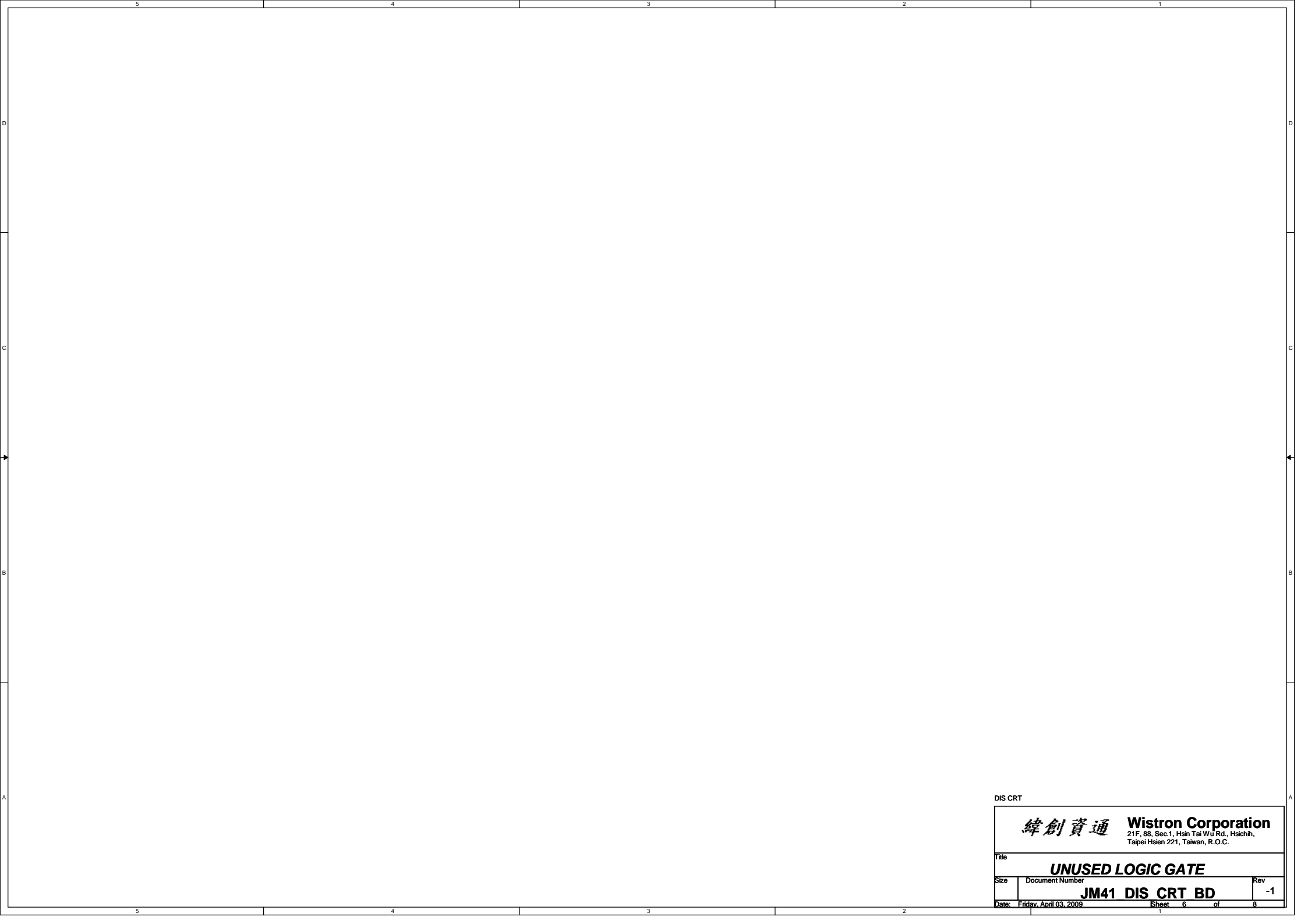
-1

# MIC IN



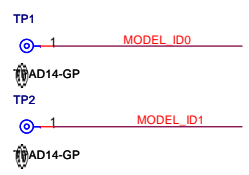
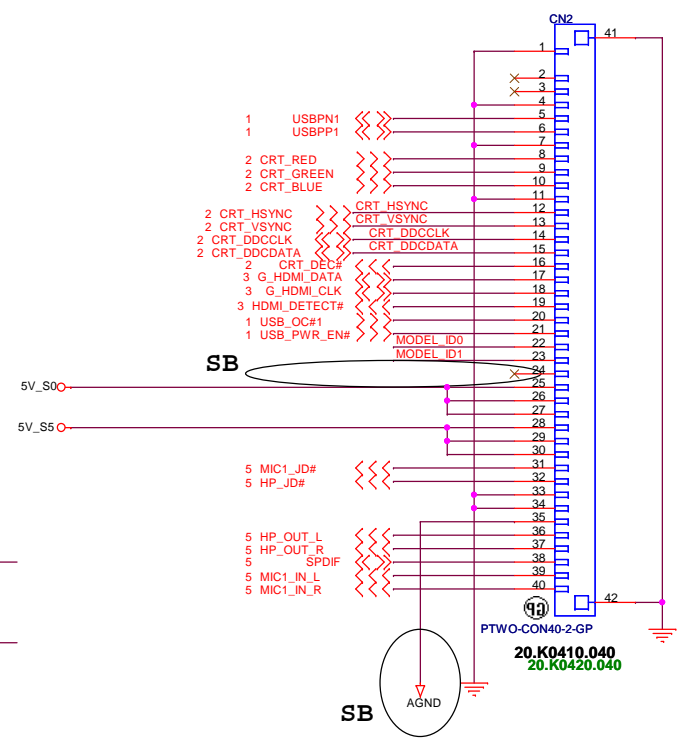
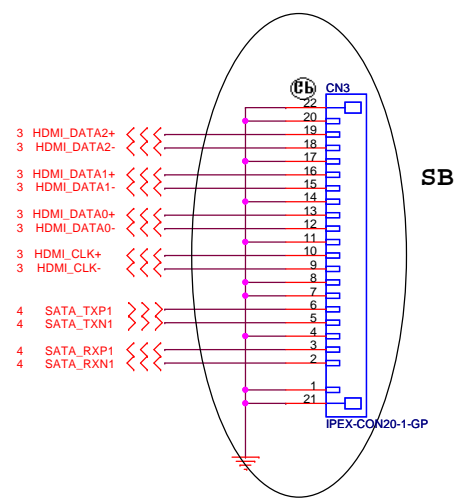
DIS CRT

<b>緯創資通</b>		<b>Wistron Corporation</b>	
		21F, 88, Sec.1, Hsin Tai Wu Rd., Hsichih, Taipei Hsien 221, Taiwan, R.O.C.	
<b>AUDIO JACK</b>			
Size	Document Number	Rev	
	<b>JM41 DIS CRT BD</b>	-1	
Date: Thursday, April 09, 2009		Sheet 5 of 8	



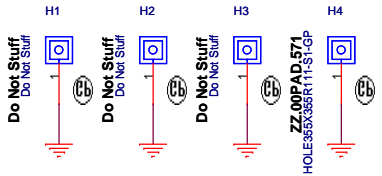
DIS CRT

<b>緯創資通</b>			<b>Wistron Corporation</b>		
21F, 88, Sec.1, Hsin Tai Wu Rd., Hsichih, Taipei Hsien 221, Taiwan, R.O.C.			21F, 88, Sec.1, Hsin Tai Wu Rd., Hsichih, Taipei Hsien 221, Taiwan, R.O.C.		
Title					
<b>UNUSED LOGIC GATE</b>					
Size	Document Number				Rev
	<b>JM41 DIS CRT BD</b>				<b>-1</b>
Date: Friday, April 03, 2009			Sheet 6 of 8		



DIS CRT

<b>緯創資通</b>		<b>Wistron Corporation</b>	
21F, 88, Sec.1, Hsin Tai Wu Rd., Hsichih, Taipei Hsien 221, Taiwan, R.O.C.			
<b>CRT BD CONN</b>			
Title			
Size	Document Number	Rev	
	<b>JM41 DIS CRT BD</b>		<b>-1</b>
Date:	Friday, April 10, 2009	Sheet	7 of 8



DIS CRT

		<b>Wistron Corporation</b> 21F, 88, Sec.1, Hsin Tai Wu Rd., Hsichih, Taipei Hsien 221, Taiwan, R.O.C.	
<b>EMI/Spring/Boss</b>			
<b>JM41 DIS CRT BD</b>			
Size	Document Number	Sheet	Rev
		8 of 8	-1
Date: Friday, April 03, 2009			